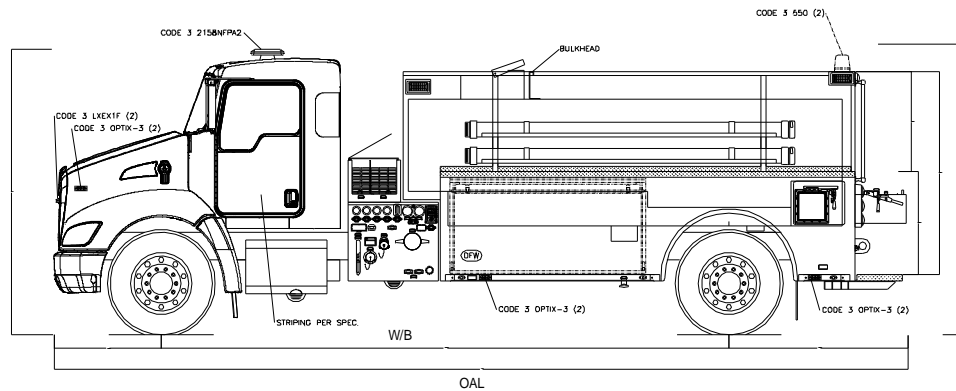
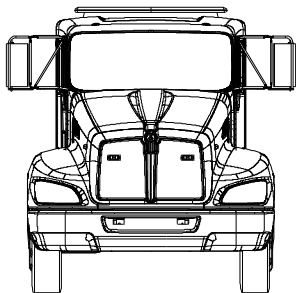
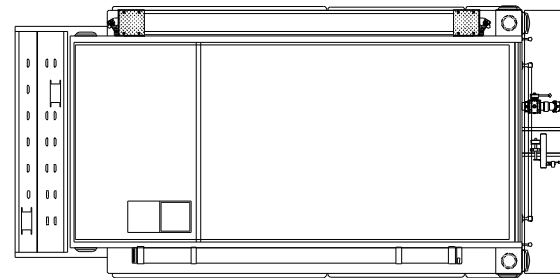


TREADBRITE TEXTURE NOT SHOWN IN TOP VIEW

REFERENCE SCALE IN INCHES
(1" = 1'-0")

COMP.	HEIGHT	WIDTH	USABLE DEPTH		DIVIDE	FTS
			UPPER	LOWER		
DEFW	36.62	77.88	10	26	28	36.63
DEFW	36.62	77.88	10	26	28	36.63
HOSEBED (OPT)	9	7.6	--	17.2	--	68 DB
FRONT AXLE	13	7	--	88	--	4.65
REAR AXLE	13	10	--	88	--	4.65



@33" LOADED FRAME HEIGHT OVERALL
 HEIGHT EMPTY WILL BE APPROX 3'-4" HIGHER
 DEPENDING UPON AXLE LOADING

NOTE:
 DIMENSIONS SHOWN ARE APPROXIMATE AND ARE SUBJECT TO MINOR CHANGE AS MAY BE FOUND NECESSARY DURING CONSTRUCTION. MINOR DETAILS MAY NOT BE SHOWN. IF DISCREPANCIES EXIST BETWEEN THIS DRAWING AND THE WRITTEN SPECIFICATIONS PROVIDED BY TOYNE, THE WRITTEN SPECIFICATIONS SHALL PREVAIL.

PRELIMINARY DRAWING ONLY - SUBJECT TO ENGINEERING APPROVAL

2000 GAL HALE AP 500 PTO

9679 HQRP DEMO

TOYNE FIRE APPARATUS
 BREDA, IOWA 514-36