

# NASHVILLE, TENNESSEE FIRE DEPARTMENT PUMPER



## Outfitted with a booster reel in rear compartment to provide quick, easy access when needed most

Time is of the essence when taking the call. Providing quick and easy access to the right tools is a priority. Nashville's Pumpers contain a rear compartment with roll up door that provides easy access to a booster reel when needed most.



## Toyne Tailored EMS storage options provide additional space for the equipment you need

Easy access to compartment storage is a must. Customized EMS storage compartments in the cab allows quick access to emergency equipment needed for safe and efficient response. In addition, Zico helmet brackets and a FireCom intercom system with 5 headsets mean the difference when time is of the essence.



## Ample hosebed storage space is necessary to be prepared when the call comes in

The Nashville, TN, Pumpers are outfitted with a low hosebed to allow for easy access. Toyne Tailored hosebed options provide ample storage space for hoses and stokes basket to accommodate firefighters taking the call.



## Equipped with the Hale Qmax pump for unmatched reliability and a higher level of performance

The Hale Qmax pump with side mount control panel and Fire Research Pump Boss pressure governor take performance to the next level. The 1500 GPM pumping capacity makes high water flows a reality, and the 6 discharges and two 1.75" crosslays put you in control of every situation.



## Toyne Tailored storage options provide you with the right tools, right where you need them

Having the right tools in the right place make the difference when lives are on the line. Rear compartment storage options provide the perfect place to stow away the tools you need. Nashville Pumpers include space in the rear of the apparatus for slide-in ladder, backboard and pike pole storage, ensuring convenient and efficient response.

# WELCOME TO THE WORLD OF QUALITY.



Nashville FD

# WELCOME TO TOYNE.

# NASHVILLE, TENNESSEE PUMPER

## CHASSIS

- Spartan Metro Star MFD 10"
- Seating for 5 heroes
- Cummins ISL 450 HP engine
- 3000 EVS transmission
- EMS compartment
- FireCom intercom system with 5 headsets
- Zico helmet brackets

## ELECTRICAL & LIGHTING

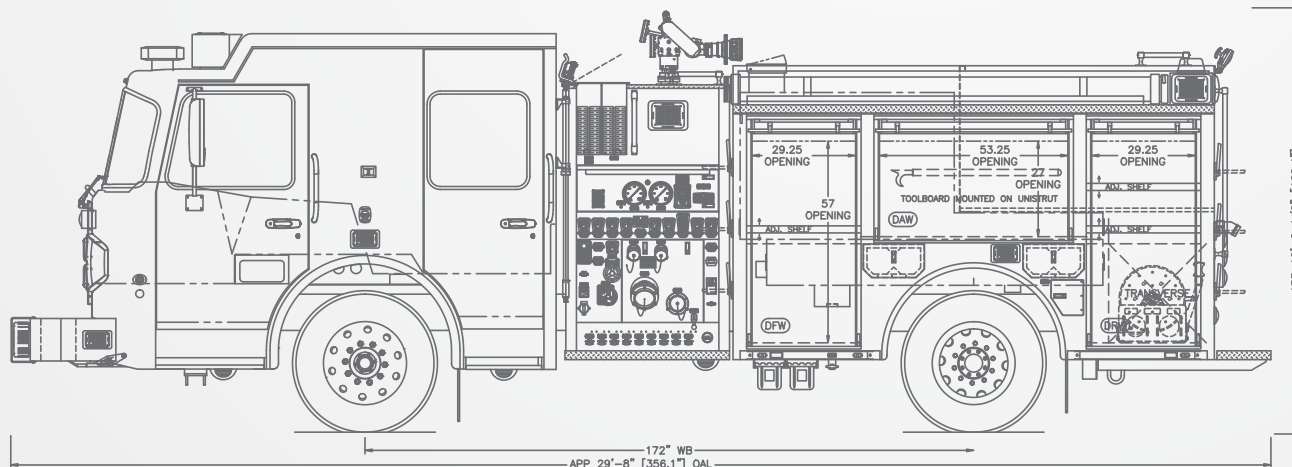
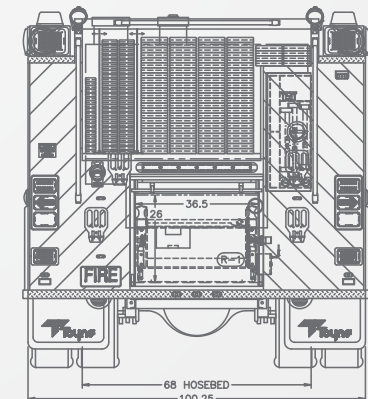
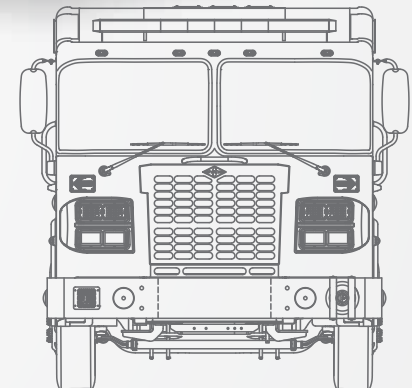
- Kussmaul battery charger/air compressor
- Whelen PFP2 LED telescoping light
- Whelen LED arrowstick
- Whelen warning lighting and scene lights

## PUMP

- Side mount
- Hale Qmax 1500
- Fire Research Pump Boss pressure governor
- Elkart 240-125P Class A foam system
- 25 gallon Class A foam tank
- 1.75" front bumper discharge and hosewell storage
- Two 2.5" left side discharges
- One 2.5" right side discharge
- One rear discharge
- One right side 4" discharge
- Two 1.75" crosslays
- TFT Hurricane monitor with XG-18 manual extension

## BODY

- Welded aluminum
- Three compartments on each side
- ROM roll up compartment doors
- Rear compartment with booster reel
- 8 wheel well spare SCBA bottle holders
- Innovative Controls tank gauge
- 750 gallon tank
- Right side ladder, backboard and pike pole storage
- Hosebed storage for stokes basket
- Low hosebed for easy access



Born and bred in the heartland of our great country, Toyne is **PROUDLY 100% AMERICAN OWNED** and operated. We use only the best material to create our Toyne Tailored Apparatus, and are proud to assemble trucks in the town where our company was founded over 70 years ago. Red, white and blue, Toyne stands for quality through and through.



**Toyne**™ Built to take the call. • 800 648 3358 • [toyne.com](http://toyne.com)