

PRIORITY RESPONSE VEHICLE XL EDITION

TOYNE TAILORED APPARATUS



Industry trusted Cummins engine and Spartan Metro Star X MFD chassis get you where you're needed most

First out the door, first on the scene. The PRV XL edition boasts a Cummins ISL 450 HP engine and Allison 3000 EVS transmission to give this truck the power to quickly accelerate at any speed. With a Spartan Metro Star X MFD with 10" raised roof and seating for six heroes, this truck was built to get you where you're needed when lives are on the line.



Outfitted with the Hale Qmax pump for unmatched reliability and a higher level of performance

The pump designed to meet the demands of the firefighter. With a 2000 GPM pump and FRC In Control 400 pressure governor, the Hale Qmax delivers maximum pump power. The Akron Deckmaster electric monitor, plus six additional discharges, combined with tipout/rollout pump controls in the front driver compartment give you the flexibility you need to accomplish any task, regardless of the situation.



The slide out pump panel maximizes efficiency and puts you in control of pump panel placement

Necessity meets efficiency. The pump panel is an integral feature of the apparatus, but it doesn't mean you have to sacrifice on storage. Available as a 'slide out and down,' slide out tool board or stationary mounted in a compartment or the cab, the Toyne Tailored enclosed pump panel takes up less space, allows you to choose your panel location, and maximizes additional storage options.



Toyne Tailored storage options provide you with the right tools, right away

Roll out trays, and intuitively designed ladder, pike pole and hard suction storage on hydraulic rack maximize your carrying capacity and put more gear at your fingertips. Full depth compartments, 57 square feet of hosebed capacity and SCBA bottle storage in the wheel wells for 11 spare bottles mean every square inch of space is used. With approximately 410 cubic feet of storage, you can be confident the right tools for the job are within reach at a moment's notice.



Premium Toyne XL body built to endure the toughest conditions

Eliminate the variables. The heavy duty welded stainless steel XL body of the Toyne PRV XL features ROM roll up doors that free up the elbow room you need to meet the demands of the call. A 1000 gallon UPF booster tank ensures you have the necessary capacity to take on any challenge.

WELCOME TO THE WORLD OF QUALITY.



Toyne PRV XL Demo

WELCOME TO TOYNE.



PRV

PRIORITY
RESPONSE
VEHICLE

XL EDITION

BODY

- Heavy duty welded stainless steel XL body
- Approximately 410 cubic feet capacity
- Full depth compartments
- ROM roll up doors
- Ladder, pike pole and hard suction storage on hydraulic rack
- UPF 1000 gallon booster tank
- 57 cubic feet hosebed storage
- Stokes basket storage in pump compartment
- Zico rear access ladder
- SCBA bottle storage in wheel wells for 11 spare bottles
- Rollout trays



ELECTRICAL & LIGHTING

- Multiplexed 12 volt electrical system
- Whelen LED warning light system
- LED compartment lighting
- Two Whelen 900 LED scene lights on the cab
- Two FRC SPA900-Q70 scene lights on the rear
- Four FRC SPA260-Q20 scene lights on the sides

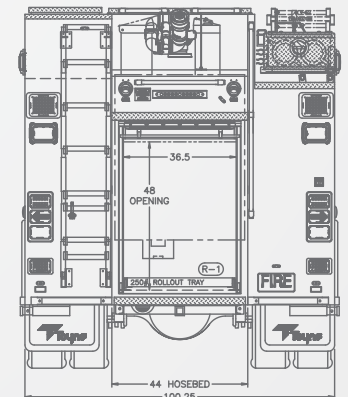
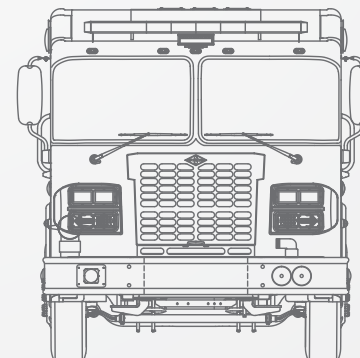
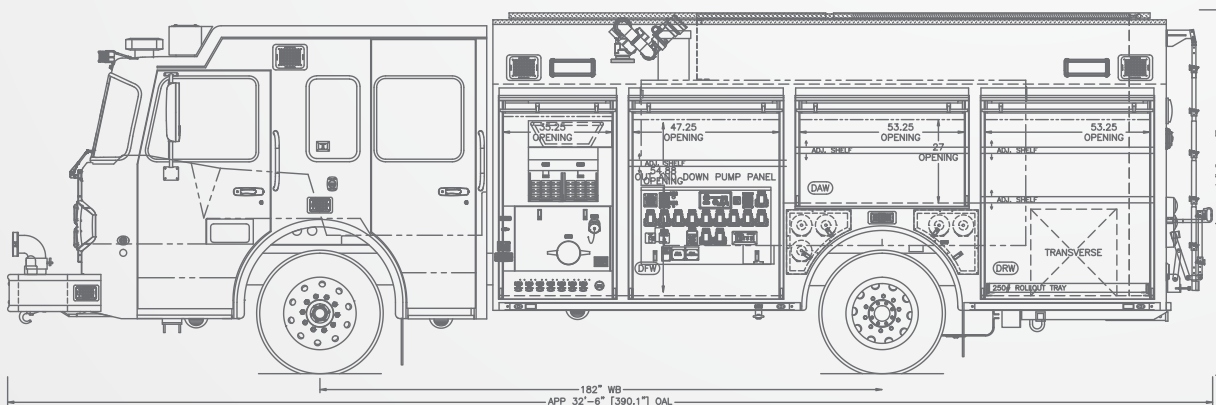
PUMP

- Hale Qmax 2000
- Tipout/rollout pump controls in driver front compartment
- Enclosed crosslay and discharge panels
- FRC In Control 400 pressure governor
- Akron 8000 series electric valves
- One 2 1/2" front bumper discharge with hosewell
- One 2 1/2" left side discharge
- One 2 1/2" right side discharge
- One 4" right side discharge
- Two 2 1/2" rear discharges
- Two 1 3/4" crosslays with trays
- Akron Deckmaster electric monitor discharge
- One 2 1/2" right side auxiliary intake
- One 6" front intake with Hale Electric MIV
- Two 6" side master intakes

CHASSIS

- Spartan Metro Star X MFD 10" raised roof
- Cummins ISL 450 HP engine
- Allison 3000 EVS transmission
- Seating for six heroes

Enclosed Slide Out Pump Panel



Born and bred in the heartland of our great country, Toyne is **PROUDLY 100% AMERICAN OWNED** and operated. We use only the best material to create our Toyne Tailored Apparatus, and are proud to assemble trucks in the town where our company was founded over 70 years ago. Red, white and blue, Toyne stands for quality through and through.



Toyne™ Built to take the call. • 800 648 3358 • toyne.com